



Zero Speed Relay Card

Model C10334-000

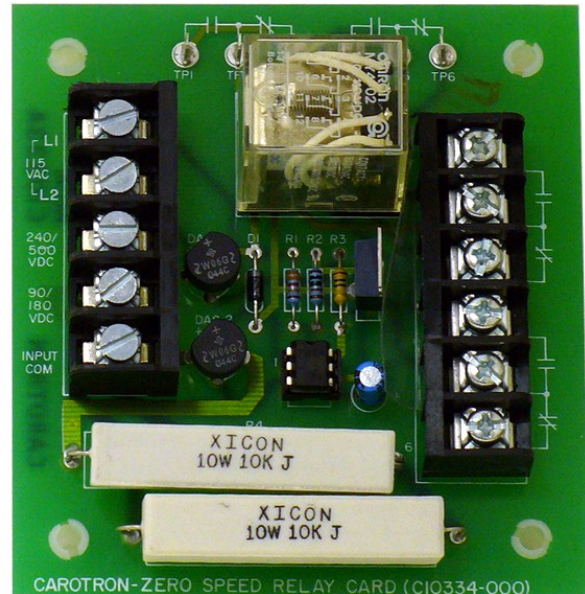
3204 Rocky River Road, Heath Springs, SC 29058
Phone: 803-286-8614 Fax: 803-286-6063

Model C10334-000 Zero Speed Relay Card provides a universal voltage sensitive relay circuit for use in ramp to stop logic for DC motor controls. Armature voltage ranges of 90, 180, 240, or 500 VDC may be sensed for logic control. A voltage input of any polarity is acceptable.

When the 90/180 VDC input range is used, the zero speed relay de-energizes at approximately 5 VDC from the armature input. For the 240/500 VDC input range, the switching level is approximately 10 VDC. Four Form-C contacts are available for customer use.

Standard Features

- 90, 180, 240 or 500 VDC input levels
- Four Form-C relay contact
- Self retaining standoffs to simplify mounting
- 5 VDC or 10 VDC switching levels
- Simple to use, no adjustments
- Bipolar input to switching circuit



Specifications

AC INPUT

115 VAC \pm 10%, 50/60 Hz, 30 mA max.

RELAY CONTACTS

Four Form-C contacts rated 3 Amp @ 240 VAC

ARMATURE INPUT

\pm 90/180 VDC, switches at approx. \pm 5 VDC
 \pm 240/500 VDC, switches at approx. \pm 10 VDC

Application Example

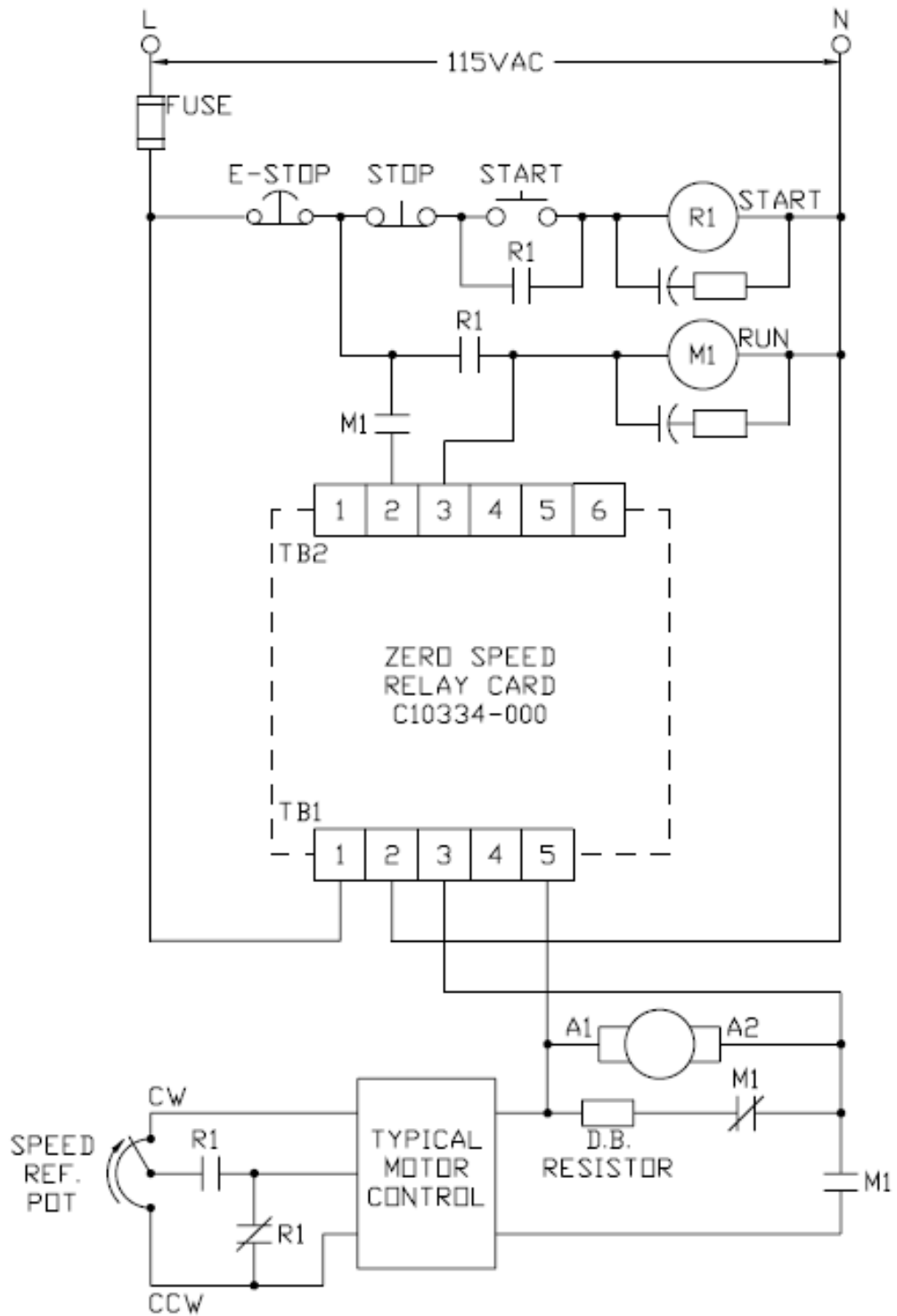


Fig. B.6

Dimensions

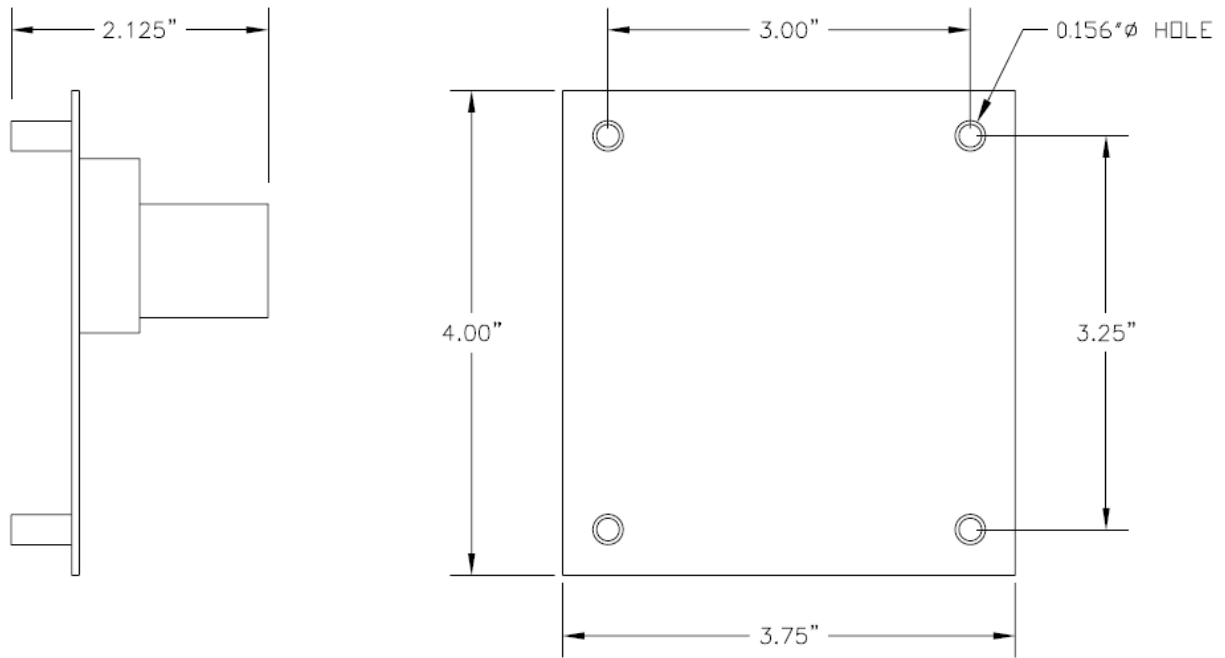


Fig. B.4

Connections

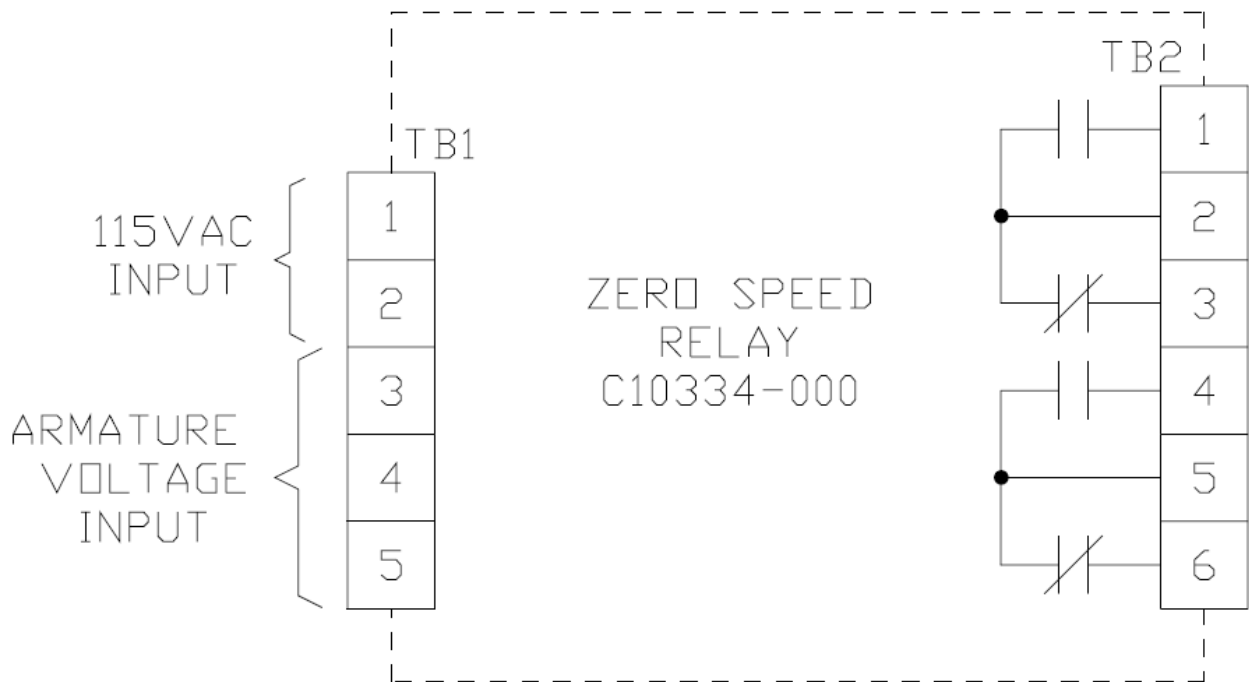
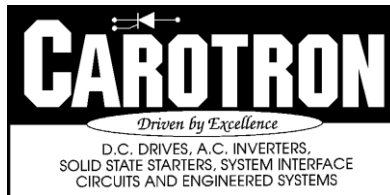


Fig. B.5

Zero Speed Relay Card
Model C10334-000

More product information for **Model C10334-000** available at www.carotron.com .



3204 Rocky River Road Heath Springs, SC 29058
Phone: (803) 286-8614 Fax: (803) 286-6063
Email: saleserv@carotron.com Web: www.carotron.com
FLY1000-0A Issued 05-30-2012