

Optical Encoder

Model TAC008-000

General Description

Model TAC008-000 is a 300 pulse per revolution Optical Encoder designed to mechanically interchange with a standard PY type D.C. tachometer. This standard mounting configuration simplifies mounting of the TAC008-000 Encoder to D.C. motors by using standard PY adapter kits available from the motor manufacturer.

Electrical output of the TAC008-000 is a single channel square wave. The power supply for the unit can range from 8 to 28 VDC. Connections are made through a 6 pin connector (P/N TAC009-000) and a cable clamp (P/N TAC010-000) which are available as accessories from Carotron. Encoders are also available with complete mounting hardware kits for standard Baldor D.C. motors.



TAC008-000

Specifications

MECHANICAL

Shaft Speed 2000 RPM
 Shaft Direction . . . Clockwise or Counter Clockwise
 Shaft Diameter 5/16"
 Shaft Extension 1.0"
 Bearings Shielded Ball Bearings
 Radial Loading 15 lbs. Operating
 Axial Loading 7 lbs. Operating
 Housing Black Anodized Aluminum

ENVIRONMENTAL

Operating Temperature -20° to +70° C
 Humidity 100% Relative Humidity
 Enclosure NEMA 12/13 - Dust and Oil Tight

ELECTRICAL

Output Type Square Wave Output
 Input Power +8 to 28 VDC
 Supply Current 50 mAmps
 Output Duty Cycle 50/50 ±5% Tolerance
 Current with Transistor ON . . . 25 mA (sinking) Max
 Pulse Rate 10KHz STD.
 Pulse Per Revolution 300

Standard Models and Descriptions

Model Number	Description	Approx. Shpg. Wt.
TAC008-000	300 PPR encoder with XPY type mounting flange and shaft, 1 channel, square wave output, 8 to 28 VDC	3lbs.

Dimensions

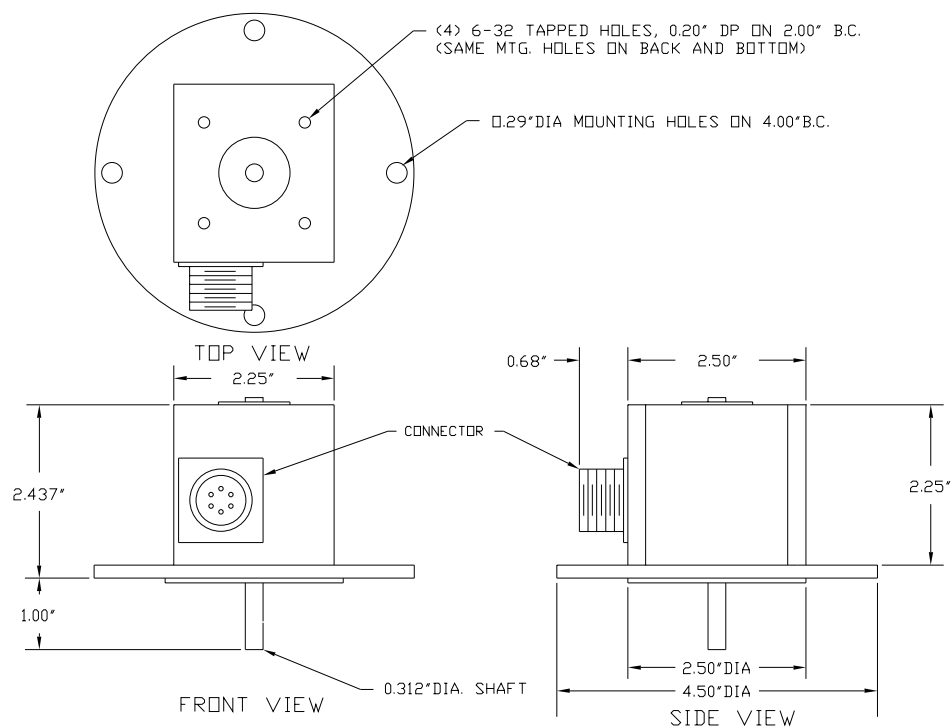


Fig. D.12

Connections

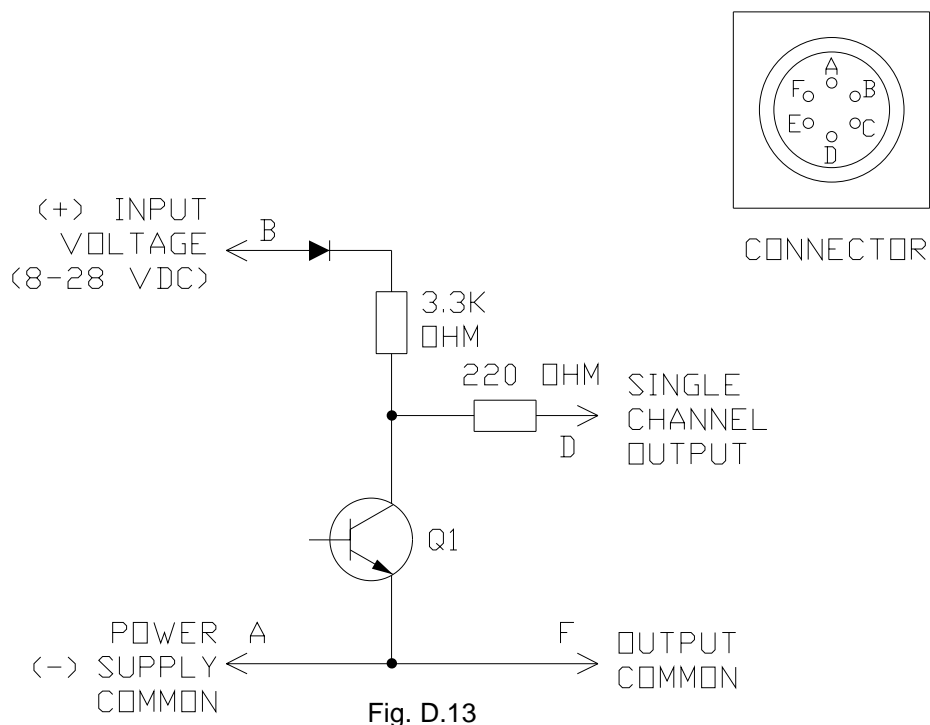


Fig. D.13