



Frequency Divider Card

Model C10368-000

3204 Rocky River Road, Heath Springs, SC 29058
 Phone: 803-286-8614 Fax: 803-286-6063

The Carotron Model C10368-000 Frequency Divider Card is designed for applications where frequency division is required. The Frequency Divider Card will accept a square wave input signal and divide the signal by a factor of 1 to 9 (switch selectable). The output transistor allows 3 jumper selectable pull-up resistors to match output source requirements (470, 2.2K, and 4.7KOhm).

DC Input Voltage

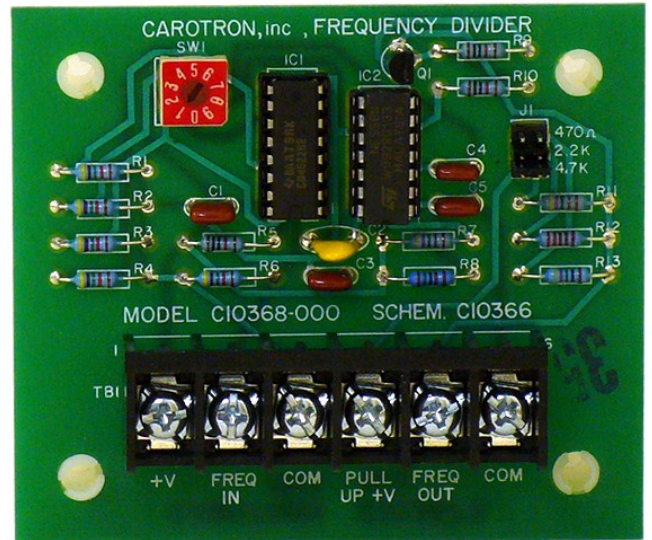
- +5 to +15 VDC

Output Type

- Transistor with 3 jumper selectable pull-up resistors: 470 Ohm, 2200 Ohm & 4700 Ohm

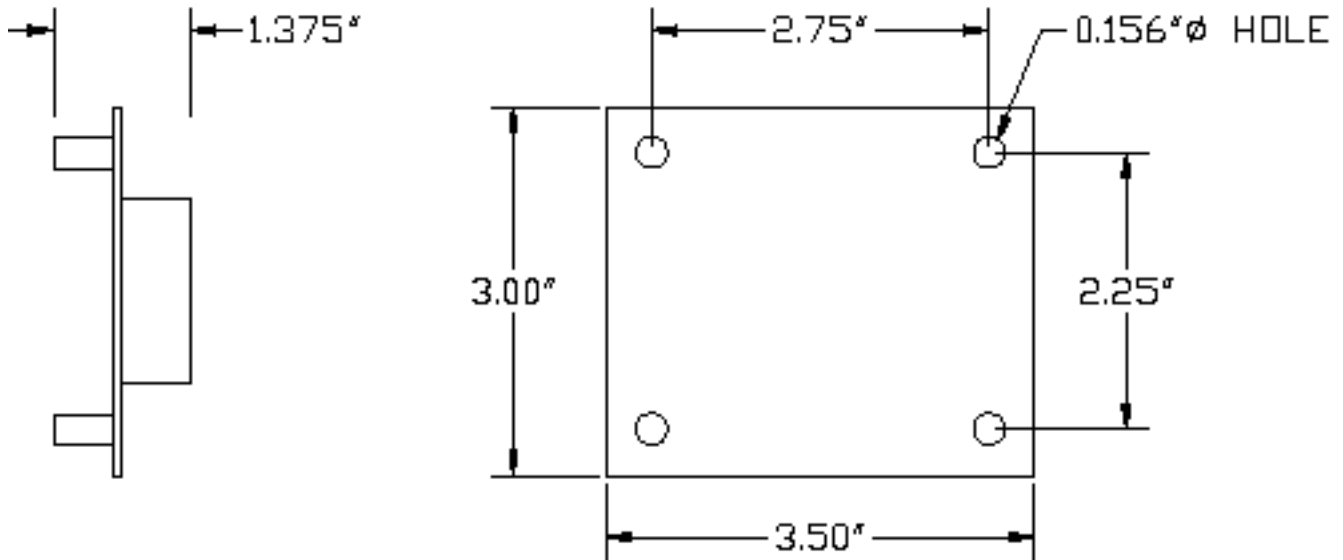
Maximum Input and Output Frequency

Input frequency / SW1 setting (1-9) = output frequency

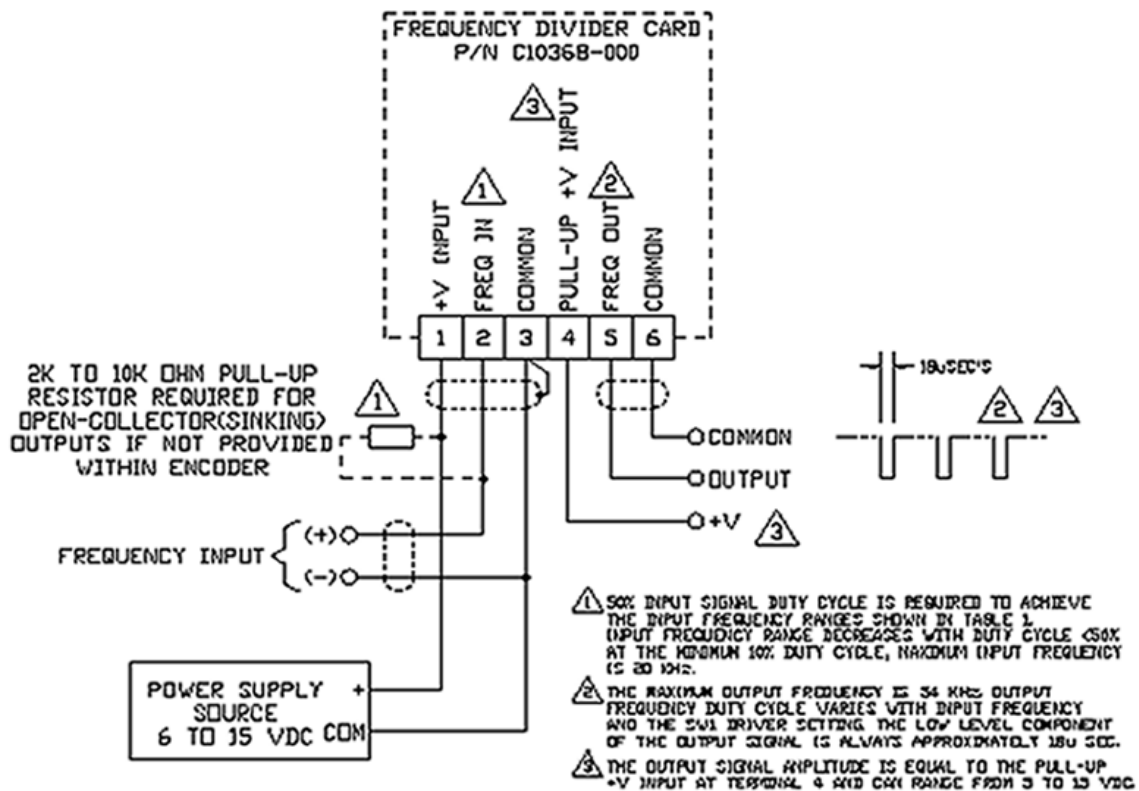


Power Supply Volts	Max Input Freq	Max Output Freq
6	90KHz	54KHz
10	150KHz	54KHz
12	165KHz	54KHz
15	180KHz	54KHz

Dimensions



Connections



Frequency Divider Card
Model C10368-000

View more information about Model C10368-000 at www.carotron.com .



3204 Rocky River Road Heath Springs, SC 29058
Phone: (803) 286-8614 Fax: (803) 286-6063
Email: saleserv@carotron.com Web: www.carotron.com
FLY1002-0A Issued 06-01-2012