



3204 Rocky River Road, Heath Springs, SC 29058
Phone: 803-286-8614 Fax: 803-286-6063

Dancer Duty Potentiometer

Models DDP01-K0XX and DDP02-K0XX

The Carotron Model DDP01-K0XX, Dancer Duty Potentiometer without limits, and the model DDP02-K0XX, Dancer Duty Potentiometer with limits, are designed for use in harsh environments in a large variety of industrial applications. The design begins with a potentiometer rigidly mounted within a NEMA 12 enclosure. A high quality helical coupling is used to link the potentiometer to the dancer shaft, eliminating lost motion and excessive loading to the potentiometer shaft. The dancer shaft extends through the enclosure by the use of a flange mounted bearing. The dancer shaft is faced on one side to aid in mechanical connections.

Two normally closed limit switches and two adjustable cams, to set extreme travel limits, may also be accommodated within the enclosure. Wiring connections are made easy by a prewired terminal strip within the enclosure.

Model DDP02-K010

Quality components, precision/ and modular construction all combine to produce dependability, simplified installation and competitive pricing. Potentiometers of 10K or 5K ohms are standard values offered in the DDP01-K0XX and the DDP02-K0XX.

Standard Features

MODEL DDP01-K0XX

- Conductive plastic potentiometer for infinite resolution
- High quality helical coupling to eliminate lost motion and excessive loading to the potentiometer shaft
- NEMA 12 enclosure to provide protection against oil and dust
- Steel construction
- External mounting feet
- Internal prewired terminal strip for easy electrical connections
- 1/2-inch diameter faced dancer shaft for easy mechanical connections



MODEL DDP02-K0XX

- Conductive plastic potentiometer for infinite resolution
- High quality helical coupling to eliminate lost motion and excessive loading to the potentiometer shaft
- NEMA 12 enclosure to provide protection against oil and dust
- Steel construction
- External mounting feet
- Internal prewired terminal strip for easy electrical connections
- 1/2-inch diameter faced dancer shaft for easy mechanical connections
- Two normally closed limit switches which open for extreme travel limit settings
- Two adjustable cams to change counterclockwise (CCW) and (CW) limit settings

Specifications

POTENTIOMETER

Resistance 5K or 10K Ohms +/-10%
Linearity +/-1%
Resolution Infinite
Electrical rotation 340° +/-3%
Mechanical rotation Continuous
Power rating 1.5 watts @ 70°C
Dielectric strength 750 VAC min.

Operating temperature -65°C to +125°C
 Rotational life 10,000,000 revolutions

Average life 75,000 hours

LIMIT SWITCHES (MODEL DDP02-KOXX ONLY)

Ampere rating 5 Amps
 Voltage rating 250 VAC

ENCLOSURE (*Note 2)

Construction 16 gauge steel
 Finish ANSI 61 gray
 Industry standard NEMA 12

BEARING

Radial load 530 lbs. @ 50 RPM

DANCER SHAFT

Construction Stainless steel
 Diameter 1/2-inch

Model Number	Description	Approx. Shpg. Wt.	Dim.	Conn.
DDP01-K005	5,000 Ohm Dancer pot., NEMA 12 enclosure without limit switches	4 lbs.	Fig. D.3	Fig. D.4
DDP01-K010 *Note 1	10,000 Ohm Dancer pot., NEMA 12 enclosure without limit switches	4 lbs.	Fig. D.3	Fig. D.4
DDP02-K005	5,000 Ohm Dancer pot., NEMA 12 enclosure with two adjustable limit switches	4 lbs.	Fig. D.3	Fig. D.4
DDP02-K005 *Note 1	10,000 Ohm Dancer pot., NEMA 12 enclosure with two adjustable limit switches	4 lbs.	Fig. D.3	Fig. D.4

Note 1: 10,000 ohm units typically stocked, others built to order.

Note 2: Stainless steel enclosure available on special order. Consult factory for dimension changes.

Dimensions

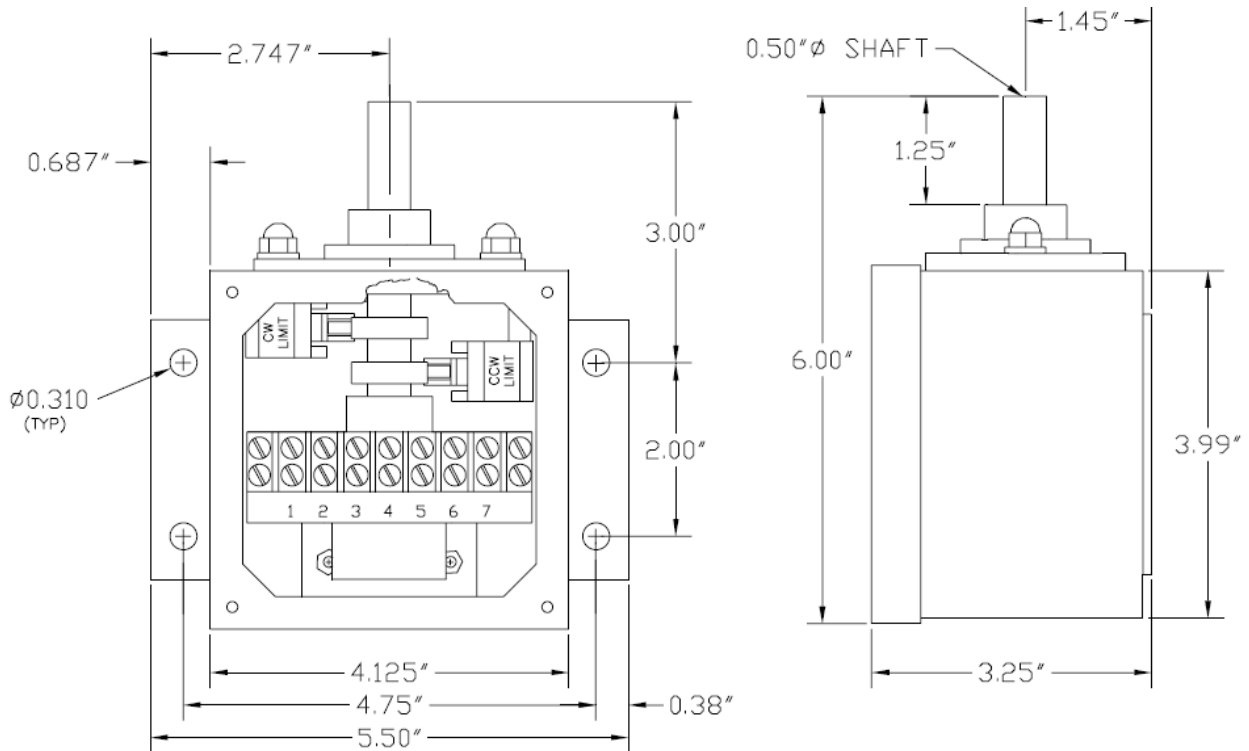


Fig. D.3

Connections

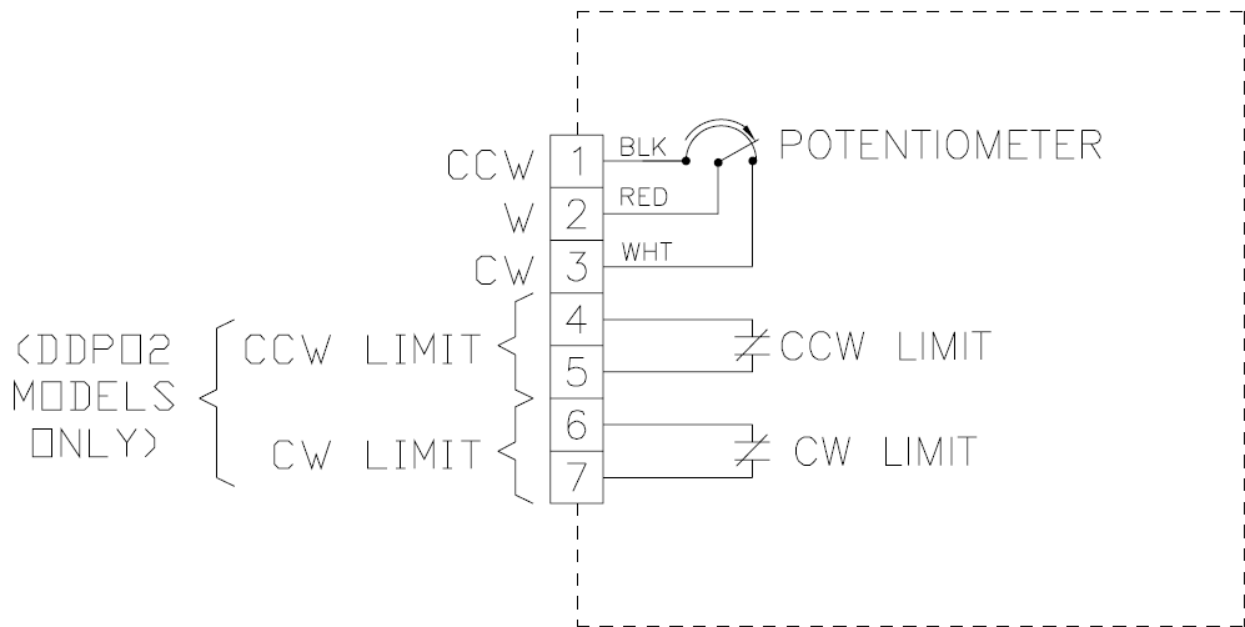


Fig. D.4

Dancer Duty Potentiometer **Model DDP01-K0XX and DDP02-K0XX**

View or download the complete Dancer Duty Potentiometer Instruction Manual (MAN 1025-00) from www.carotron.com.



3204 Rocky River Road Heath Springs, SC 29058
Phone: (803) 286-8614 Fax: (803) 286-6063
Email: saleserv@carotron.com Web: www.carotron.com
FLY1035-0A Issued 05-24-2012