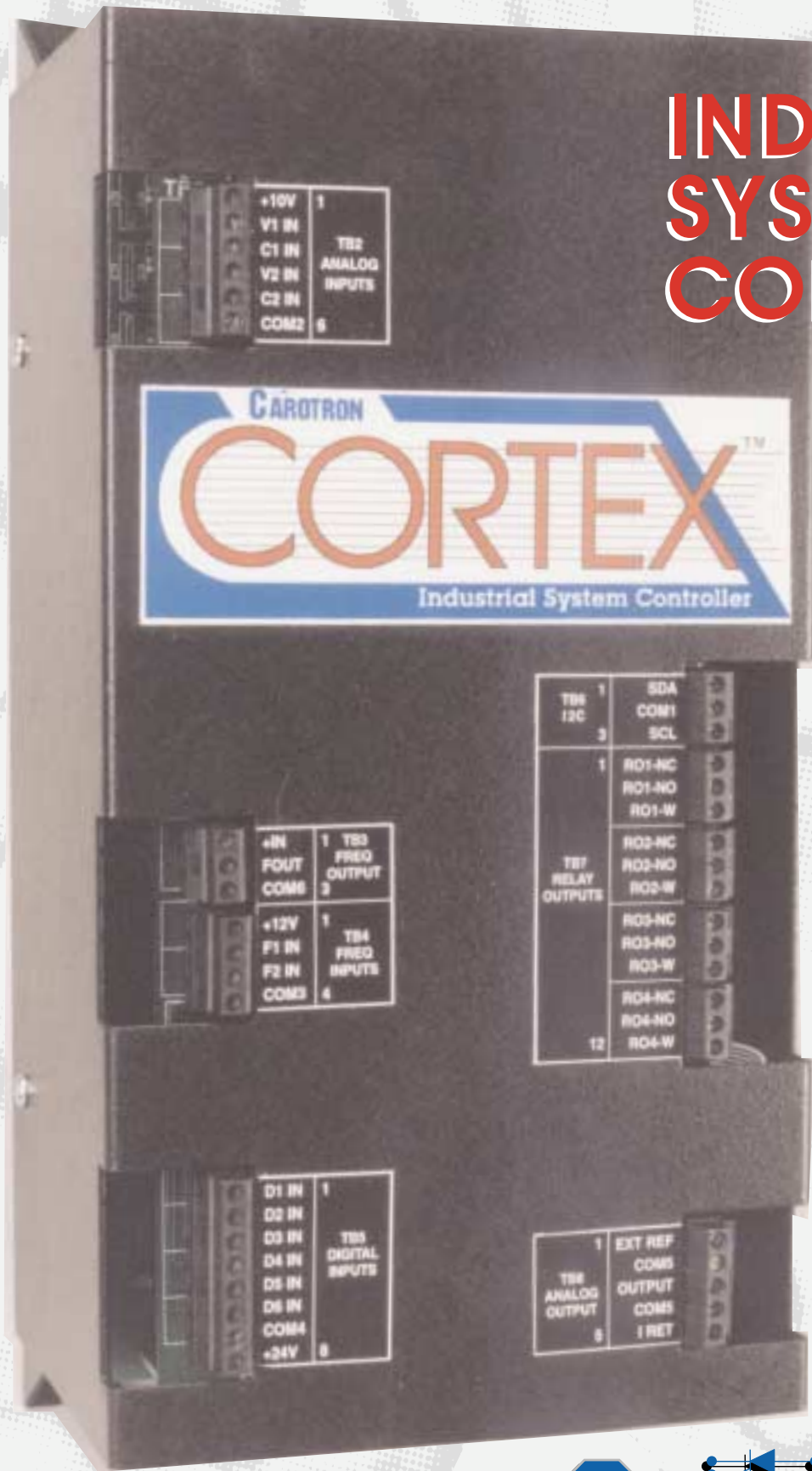


INDUSTRIAL SYSTEM CONTROLS



BY

**CAROTRON**

CORTEX

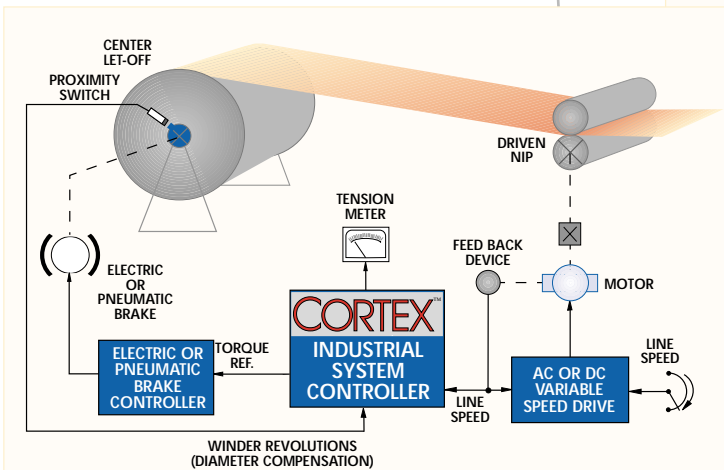
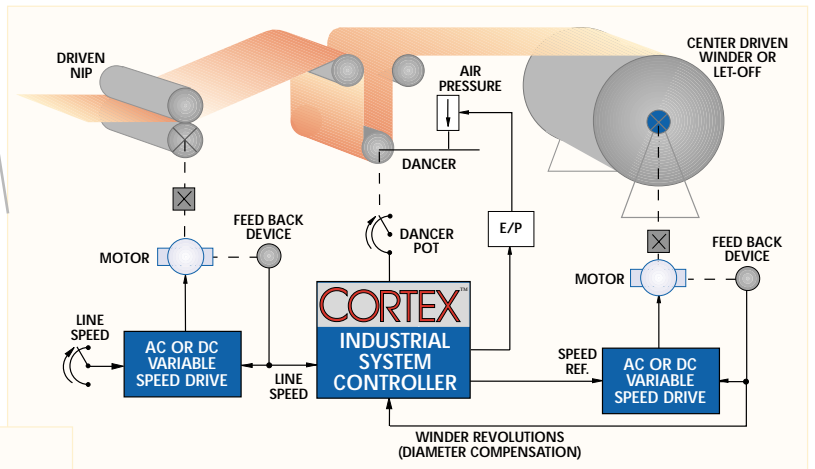
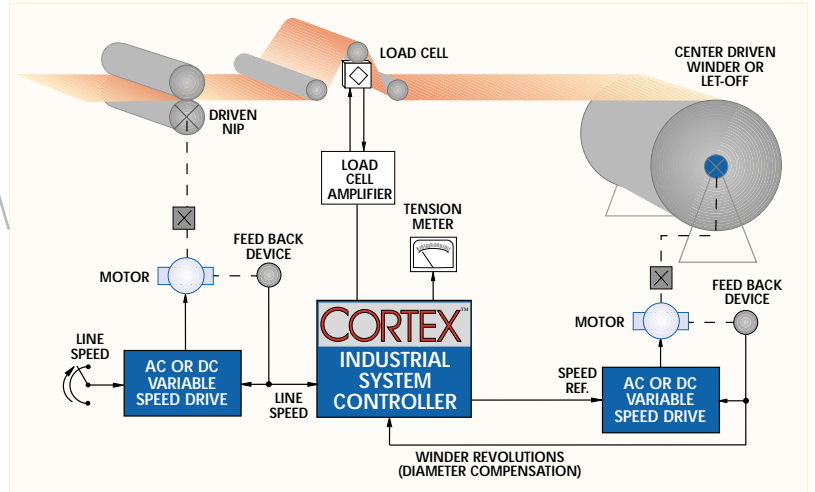
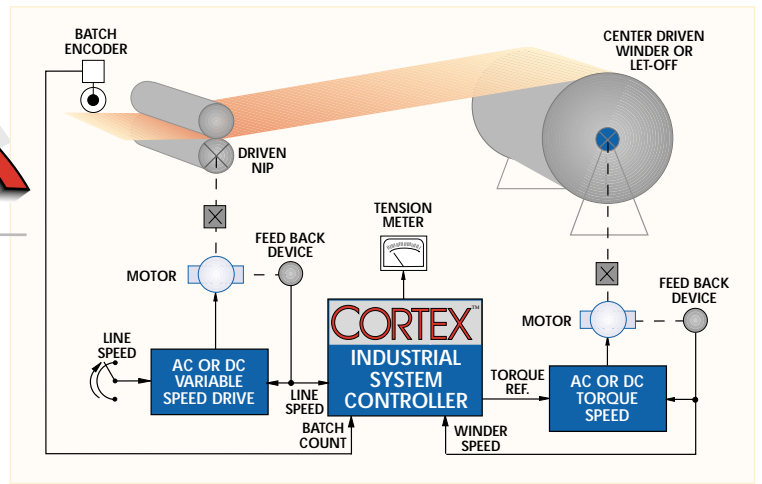
Combining years of Carotron system engineering experience with microprocessor technology, the CORTEX™ provides a simple programmable solution for many drive system applications.

Each model provides application specific software along with:

- 2 Analog inputs
- 2 Frequency inputs
- 6 Digital Logic inputs
- 4 Relay outputs
- 1 Analog output
- 1 Frequency Output
- 1 PC Expansion Bus
- 1 RS-232 Communications port

Applications

- Constant Tension Center Winder Control
- Dancer Position Control
- Center Unwind Control
- Loadcell Tension control
- Electronic Speed Reference Control
- Custom Applications



Specifications

AC INPUT

- 115/230 VAC $\pm 10\%$, 50/60Hz
Internally Fused at 0.5 Amps

PROGRAMMABLE INPUTS

Analog

- 2 inputs available
- Input ranges:
0 to 10VDC or 4 to 20mADC

Frequency

- 2 inputs available
- Input ranges:
20KHz Max, square wave
5 to 12VDC max

Digital

- 6 inputs available
- Logic levels:
Vil=3.0VDC max
Vih=5VDC min to 24VDC max

PROGRAMMABLE OUTPUTS

Relay

- 4 outputs available
- Output ranges:
Form-C contact, rated for 3A @ 115VAC & 30VDC

Analog

- 1 output available
- Output ranges:
0 to 10VDC or 4 to 20mADC

Frequency

- 1 output available
- Output ranges:
0 to 2KHz

Digital Display

20 characters x 4 Lines on a Backlit LCD to display applicable data

Accessories

- Door Mountable Programming, NEMA 4 rated
Model Cortex-A01
 - Handheld programming
Model Cortex-A00
- Both models use soft key menu for multiple functioning

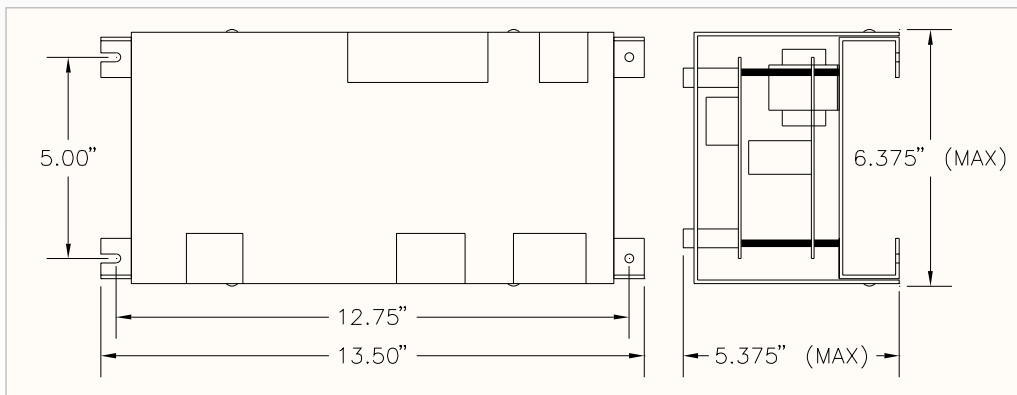


Model CORTEX-A01

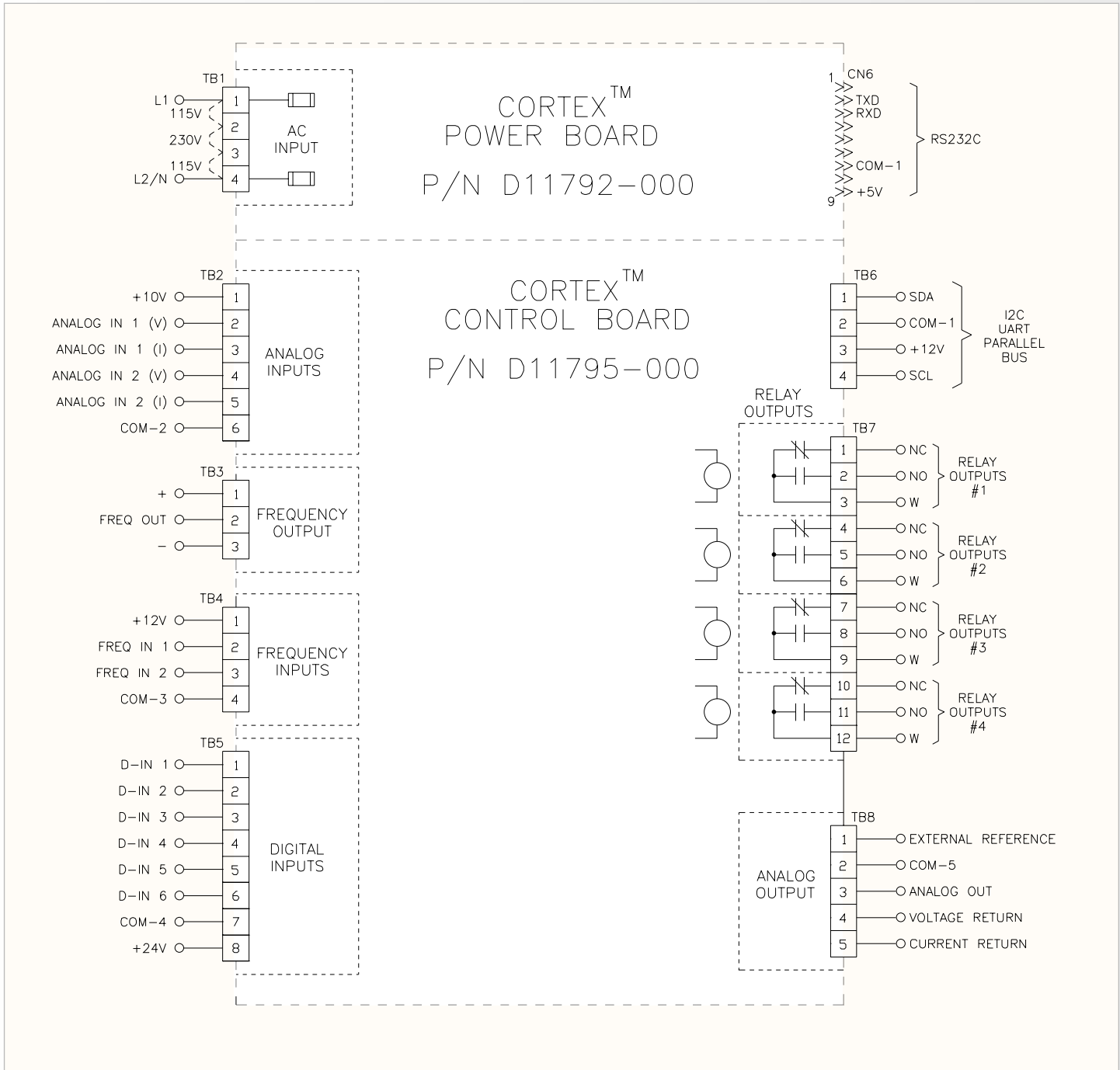


Model CORTEX-A00

Dimensions



Connections



Your custom application is welcome.
For more information, contact:

