



3204 Rocky River Road, Heath Springs, SC 29058
 Phone: 803-286-8614 Fax: 803-286-6063

Accel / Decel Card

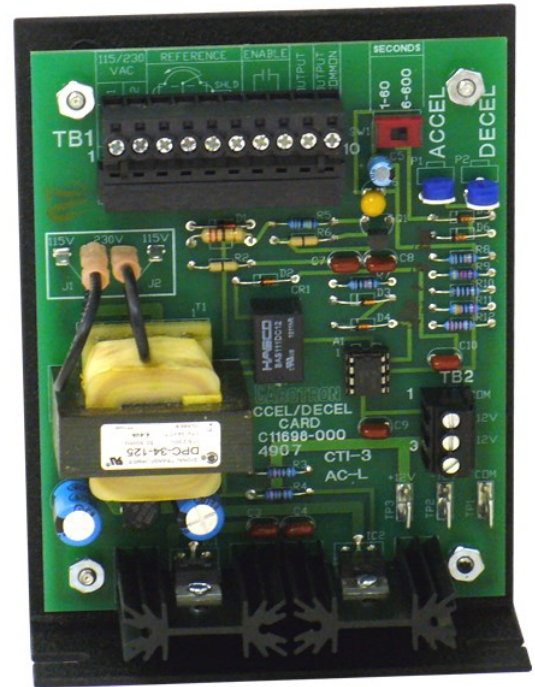
Model C11698-000

Model C11698-000 Accel Card / Decel Card is designed to handle a variety of applications where Accel/Decel functions are required without isolation. Inputs up to 10VDC maximum are acceptable sources. A +10VDC supply is available to allow the input signal to be sourced from a 1,000 to 10,000 ohm potentiometer. The input signal is routed through a linear acceleration/deceleration circuit with two selectable time ranges. The two time ranges are switch selectable for 1 – 60 seconds or 6 – 600 seconds with individual Accel and Decel potentiometers to set the time within a selected range.

A customer supplied contact closure enables the Accel/Decel circuit and allows the reference to accelerate to a level set by the input voltage or potentiometer. The decel circuit operates whenever the reference is lowered. When the enable contact opens, the reference is zeroed immediately. The unit also includes +12VDC Power Supply outputs rated at 100 mA each for customer use.

Standard Features

- Depluggable terminal strip provided for easy connection
- Compact chassis design
- Programmable for 115 or 230 VAC input



Specifications

AC Input

- 115/230 VAC, $\pm 10\%$, 50/60 Hz, 4.4 VA Max

Signal Voltage

- 0 to 10 VDC Max

Potentiometer Input

- +10 VDC, $\pm 5\%$ available to source a 1,000 to 10,000 ohm potentiometer

Enable Input

- Contact closure, contacts must be rated for 12 VDC @ 40 mA

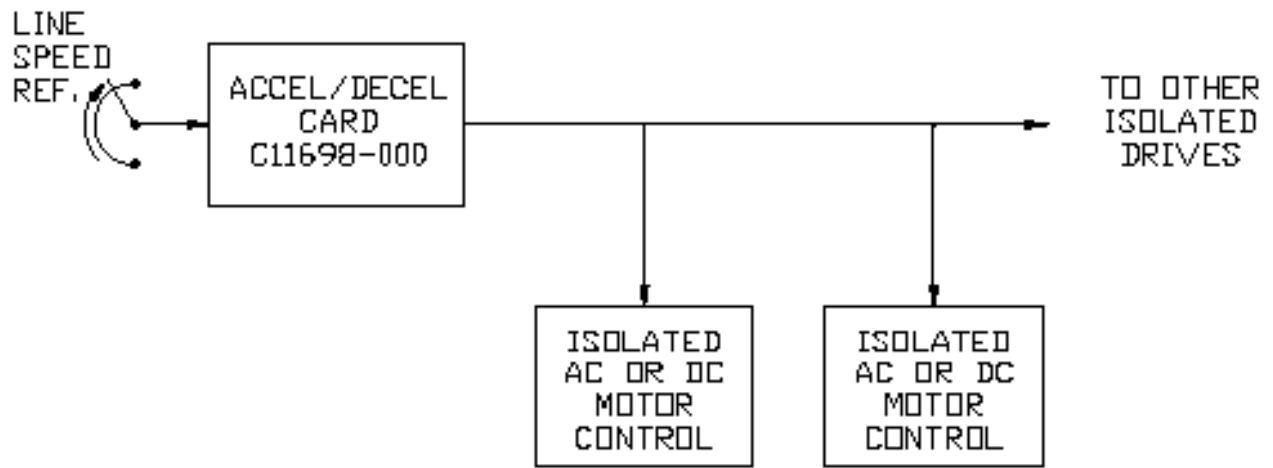
Output Range

- 0 to Signal voltage input level (10 VDC Max.) @ 10mA

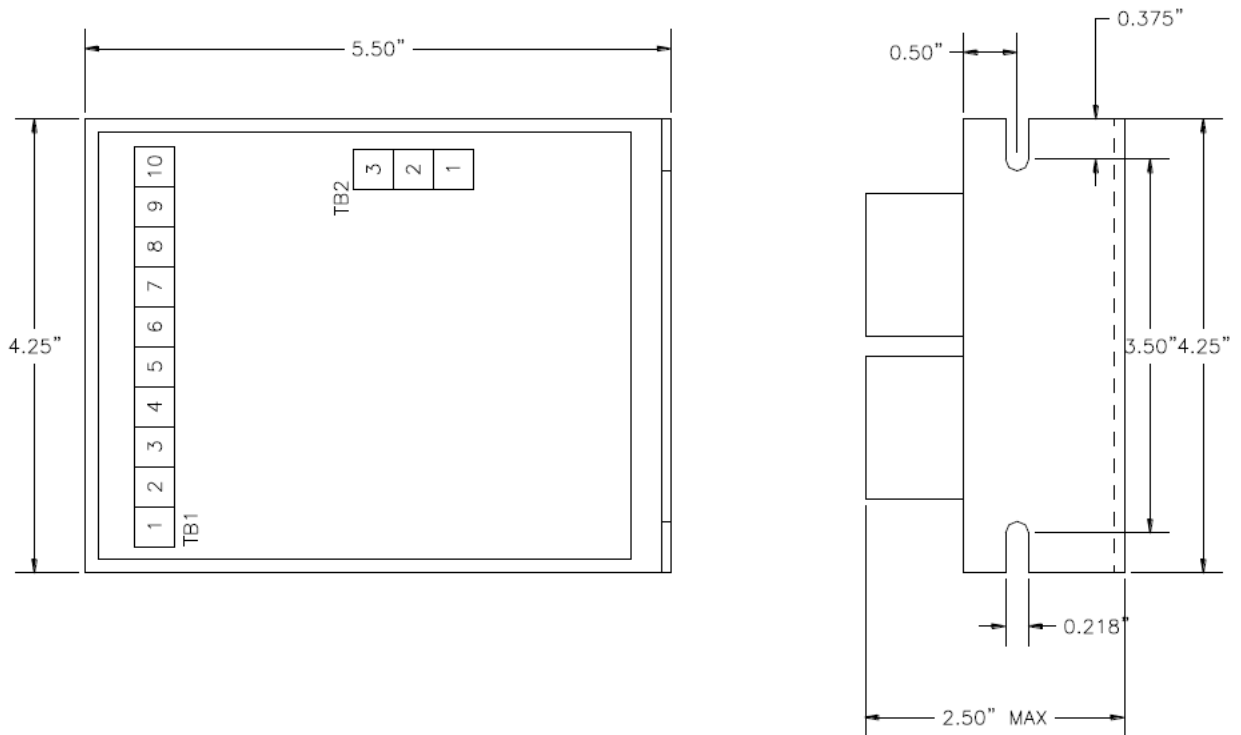
Power Supply Outputs

- +12 VDC @ 100mA
- -12 VDC @ 100mA

Application Example

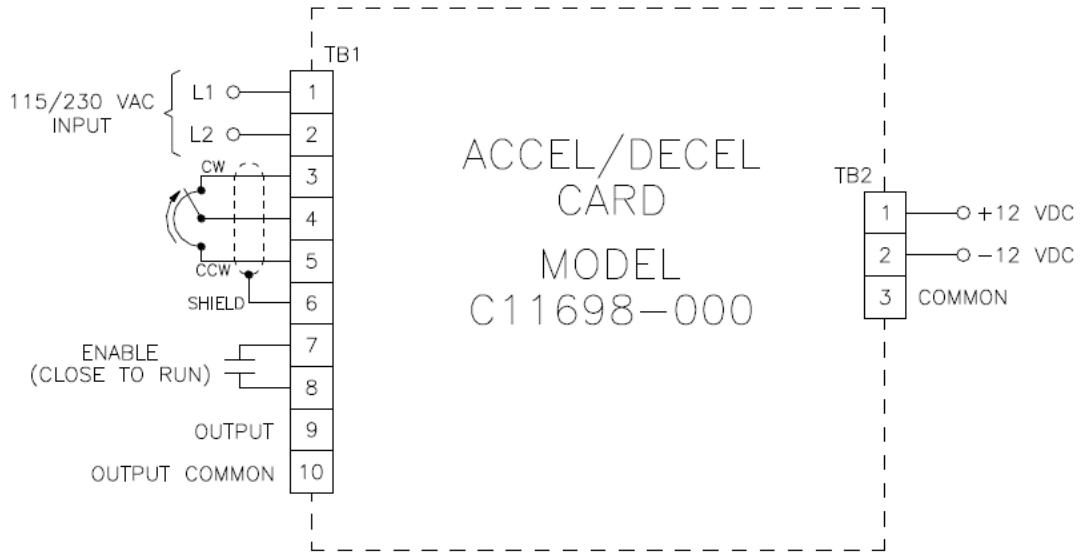


Dimensions



Connections

GENERAL CONNECTIONS



Accel / Decel Card **Model C11698-000**

View or download the complete C11698-000 Instruction Manual (MAN 1029-00) from www.carotron.com .



3204 Rocky River Road Heath Springs, SC 29058
Phone: (803) 286-8614 Fax: (803) 286-6063
Email: saleserv@carotron.com Web: www.carotron.com
FLY1003-0A Issued 05-31-2012