



RS485 Biasing Card

Model C13487-000

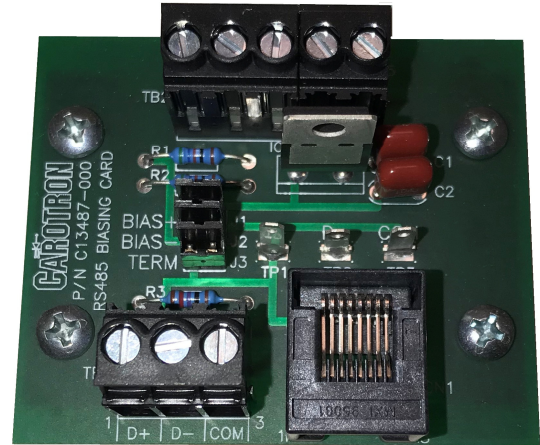
FLY1059-00

3204 Rocky River Road, Heath Springs, SC 29058
 Phone: 888-286-8614 Fax: 800-286-6063

In some cases, a 2 wire RS485 bus requires failsafe biasing in order to function properly. Carotron's RS485 Biasing board (Model C13487-000) provides an easy and efficient means to add the biasing to your network. Connections to the RS485 network are made using the large terminal blocks. An RJ45 connector is provided to allow effortless connection to Red Lion's G3 HMI's by simply using an Ethernet patch cable. Programming jumpers allow the biasing and terminating resistors to be switched in or out.

STANDARD FEATURES

- Terminal strips for easy daisy chain connections
- DIN Rail mount
- RJ45 port for use with Red Lion G3 HMI's
- Circuit isolated from 24VDC power (Rev B boards and later)
- Jumpers to switch in biasing and/or terminating resistor
- Power only required when biasing is used. No power needed for terminator functionality.

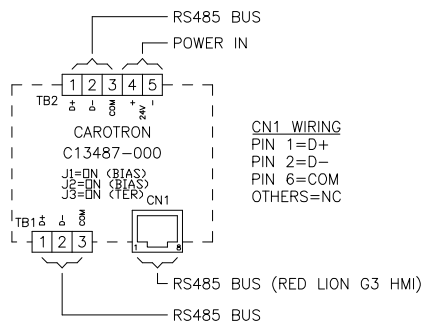


MODEL C13487-000

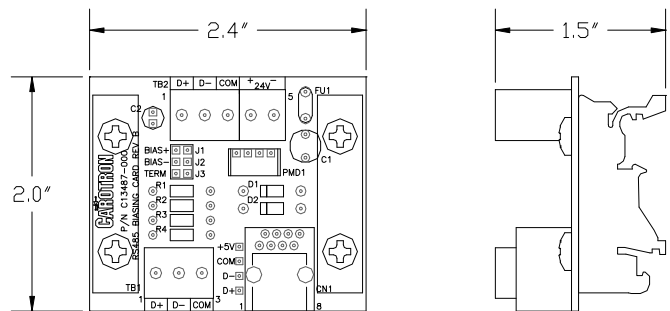
SPECIFICATIONS

POWER
 24VDC (50mA max)

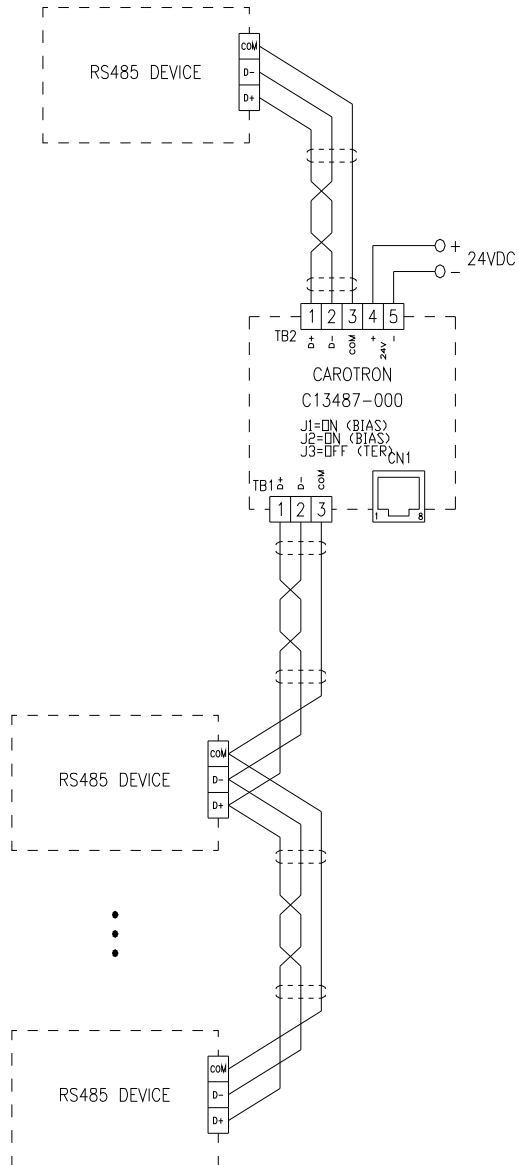
CONNECTIONS



DIMENSIONS



TYPICAL CONNECTIONS



RED LION G3 HMI CONNECTION

