



# Frequency Isolation Module

## Model FIM100-000

3204 Rocky River Road, Heath Springs, SC 29058  
 Phone: 888-286-8614 Fax: 800-286-6063

Model FIM100-000 Dual Frequency Isolation Module is designed for applications that require electrical isolation of square wave frequency signals. Designed for a wide variety of input signals, the FIM100-000 can accept either single ended or differential type inputs.

Programming jumpers allow for terminating resistors to be "switched in" for differential inputs for improved noise immunity. The module provides an open collector output for each of the two inputs.

Programming jumpers allow for pullup resistors to be used on the outputs if needed.

The input and output sections each require a separate power supply of 5VDC. Programming jumpers allow for higher inputs supplies of 8 to 15 VDC to be used.



## SPECIFICATIONS

### ELECTRICAL

Required Input Supply:  
 5VDC or 8-15VDC at 60mA  
 Required Output Supply:  
 5VDC or 8-15VDC at 25mA  
 Signal Input Type: Single or Differential, +/-15V  
 Output Type: Open Collector, 5V max  
 Max Frequency: 100kHz  
 Operating Temperature: 55°C max

### ENCLOSURE

Construction: Polycarbonate and ABS  
 Finish: Light Gray  
 Rating: NEMA 1  
 Mounting: 35mm DIN Rail or mounting tabs (#8)

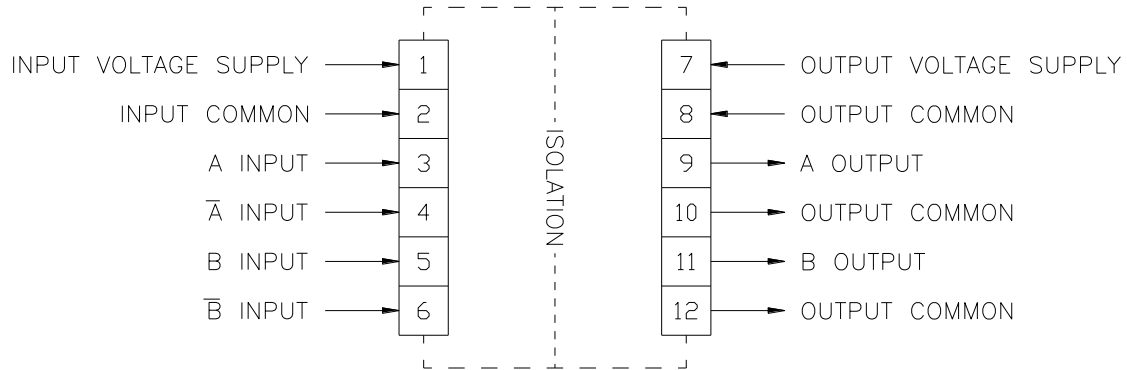
### PROGRAMMING JUMPERS

J1=Input Supply (5VDC or 8-15VDC)  
 J2=Input A Terminator (127 Ohms)  
 J3=Input B Terminator (127 Ohms)  
 J4=Output Supply (5VDC or 8-15VDC)  
 J5=Output A Pullup (10kOhm to +5V)  
 J6=Output B Pullup (10kOhm to +5V)

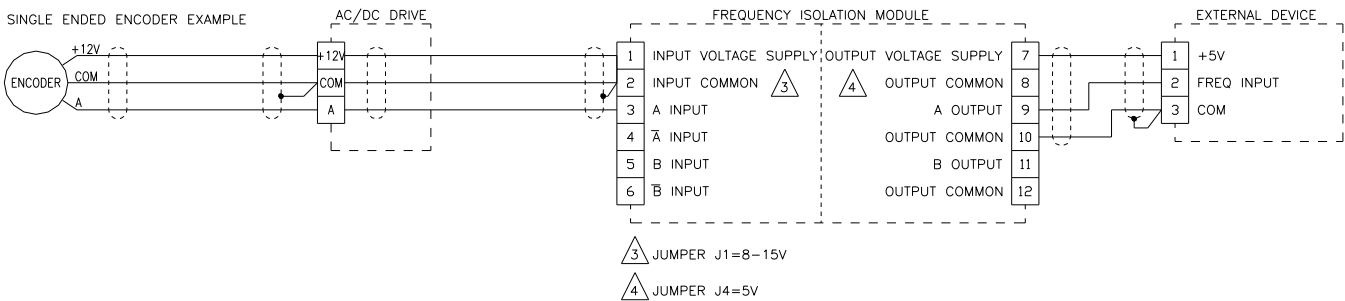
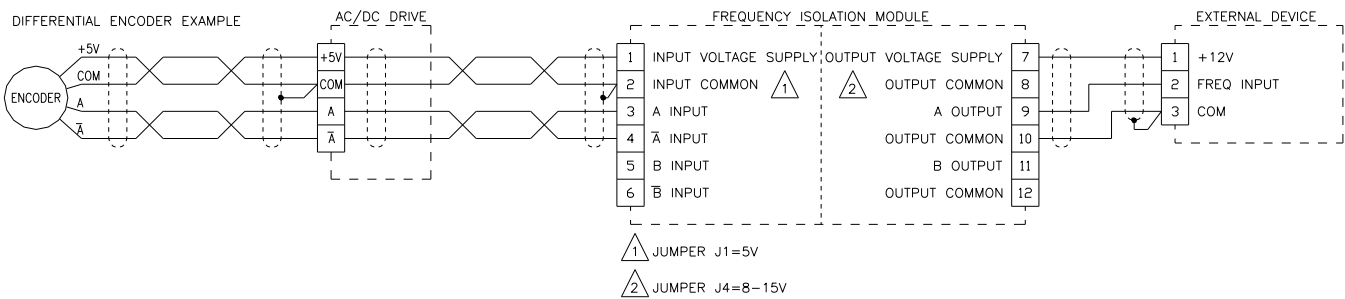
Default Jumper Positions shown below:

INPUT SUPPLY: 5VDC	<input checked="" type="checkbox"/>	<input checked="" type="checkbox"/>	<input checked="" type="checkbox"/>	8-15VDC
INPUT A TERMINATOR ON	<input checked="" type="checkbox"/>	<input checked="" type="checkbox"/>	<input checked="" type="checkbox"/>	A TERMINATOR OFF
INPUT B TERMINATOR ON	<input checked="" type="checkbox"/>	<input checked="" type="checkbox"/>	<input checked="" type="checkbox"/>	B TERMINATOR OFF
OUTPUT SUPPLY: 5VDC	<input checked="" type="checkbox"/>	<input checked="" type="checkbox"/>	<input checked="" type="checkbox"/>	8-15VDC
OUTPUT A PULLUP ON	<input checked="" type="checkbox"/>	<input checked="" type="checkbox"/>	<input checked="" type="checkbox"/>	A PULLUP OFF
OUTPUT B PULLUP ON	<input checked="" type="checkbox"/>	<input checked="" type="checkbox"/>	<input checked="" type="checkbox"/>	B PULLUP OFF

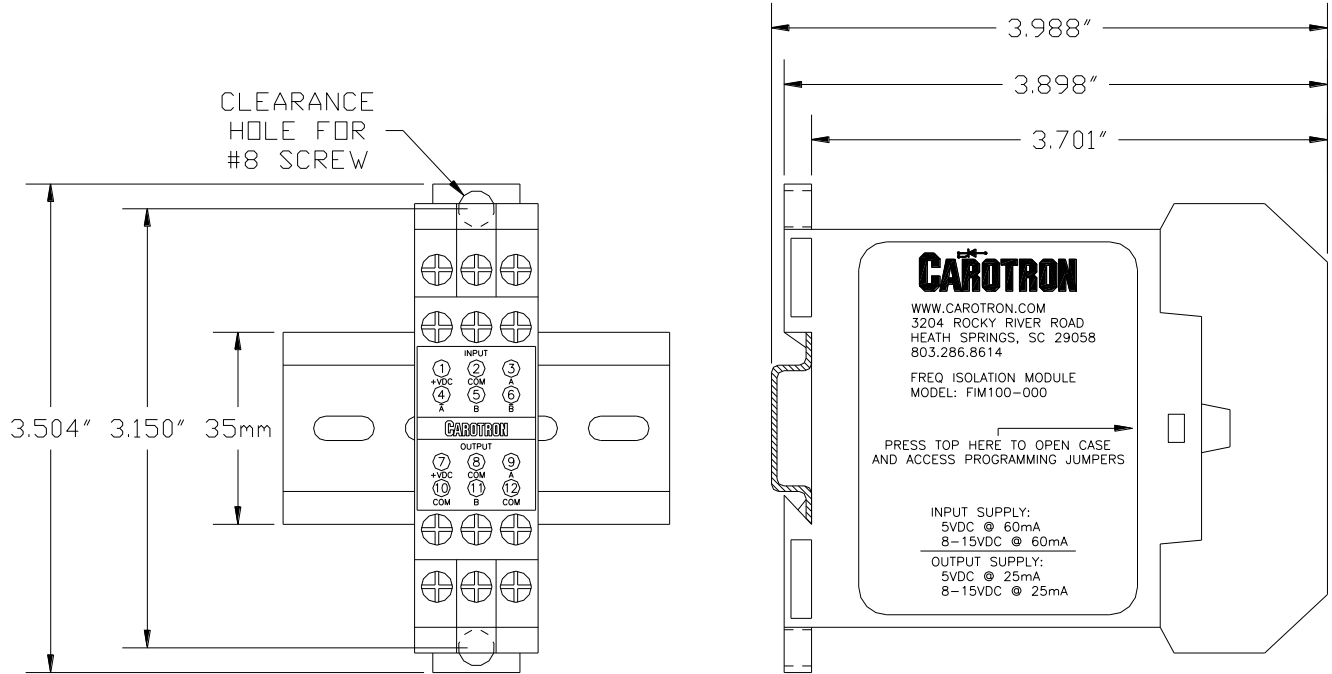
# GENERAL CONNECTIONS



# TYPICAL APPLICATIONS



# DIMENSIONS

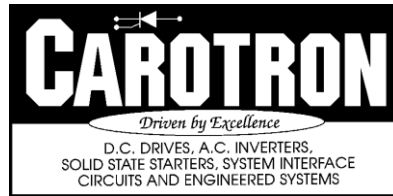


## Frequency Isolation Module FIM100-000

Physical Specifications

3.504" H x 0.886" W x 3.898" D

Shipping Weight: 2 lbs.



3204 Rocky River Road Heath Springs, SC 29058  
Phone: 1-888-286-8614 Fax: 1-803-286-6063  
Email: [saleserv@carotron.com](mailto:saleserv@carotron.com) Web: [www.carotron.com](http://www.carotron.com)  
FLY1020-0A Issued: 05/10/2012